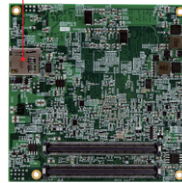


Intel® Atom™ SoC

MicroSD



Features

- Onboard Intel® Atom™ E3845/E3827 SoC
- 2x DDR3L SO-DIMM, Max. 8GB
- Single Gigabit LAN via carrier board (IP411)
- 2x SATA II, 1x USB 3.0, 8x USB 2.0, 2x COM via carrier board (IP411)
- Supports 2x independent displays, DisplayPort/CRT/LVDS via carrier board (IP411)
- Supports HD audio via carrier board (IP411)
- Wide-range operating temperature

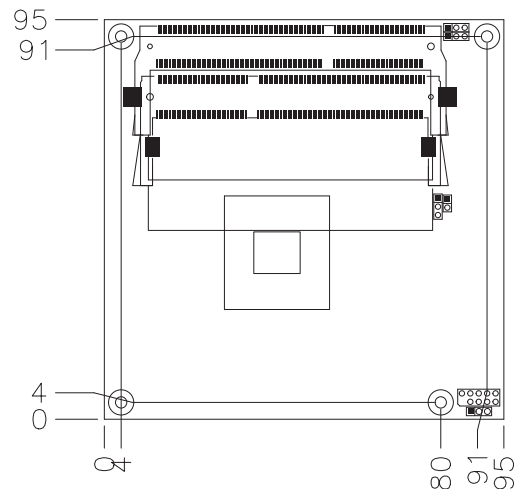
Specifications

CPU Type	Intel® Atom™ Processor E3845/E3827 SoC
System Memory	2x DDR3L@1.35V SO-DIMM, Max. 8GB (Non-ECC)
System Chipset	Integrated in Intel® Atom™ SoC
BIOS	AMI
Watchdog Timer	256 levels
SSD	N/A
H/W Monitor	Yes
Expansion Slot	1x PCI-E(x1) on carrier board (IP411)
VGA Controller	Intel® Atom™ E3845/E3827 SoC integrated graphics supports CRT, DisplayPort & LVDS
VGA Memory	Shared memory
Display Interface	24-bit single-channel LVDS on carrier board (IP411)
LAN Controller	1x Intel® I210IT Gigabit LAN
LAN Connector	1x RJ45 on carrier board (IP411)
I/O Chipset	Nuvoton NCT5523D on board (supports Tx/Rx only) functions on carrier board (IP411) include: 1x LPT, 2x RS232 (full function)
USB	1x USB 3.0 via carrier board (IP411) 8x USB 2.0 via carrier board (supports 6x USB 2.0 only on IP411)
Serial ATA	2x SATA III ports via carrier board (IP411)
Audio	Intel® Atom™ E3845/E3827 SoC built-in audio with Realtek ALC662 codec on carrier board (IP411)
Others	MicroSD slot onboard@ rear side Digital I/O (4-in / 4-out) on carrier board (IP411)
Dimensions	95mm x 95mm (3.74" x 3.74")
Max. Power Requirement	Intel® Atom™ E3845 1.91GHz w/ 2x 2GB DDR3L-1600 +12V: 0.91A; +5V: 0.13A; +5VSB: 0.05A; +3.3V: 0.24A
Operating Temperature	-40°C~85°C (-40°F~185°F)
Storage Temperature	-40°C~90°C (-40°F~194°F)
Relative Humidity	90% (non-condensing @60°C)

Ordering Information

ET860-i45-LV	COM Express (Type 6) CPU Module w/ Intel® Atom™ Processor E3845 (1.91GHz) SoC, DDR3L dual-channel memory, LVDS
ET860-i27-LV	COM Express (Type 6) CPU Module w/ Intel® Atom™ Processor E3827 (1.75GHz) SoC, DDR3L dual-channel memory, LVDS
IP411	Mini-ITX COM Express (Type 6) Carrier Board
HSET860-BGA-1	Heatsink for ET860
HSET860-BGA-2	Heat Spreader for ET860

Dimensions and Drawing



1 Embedded Systems

2 CPU Modules

3 Disk-Size SBCs

4 Motherboards

5 CPU Cards