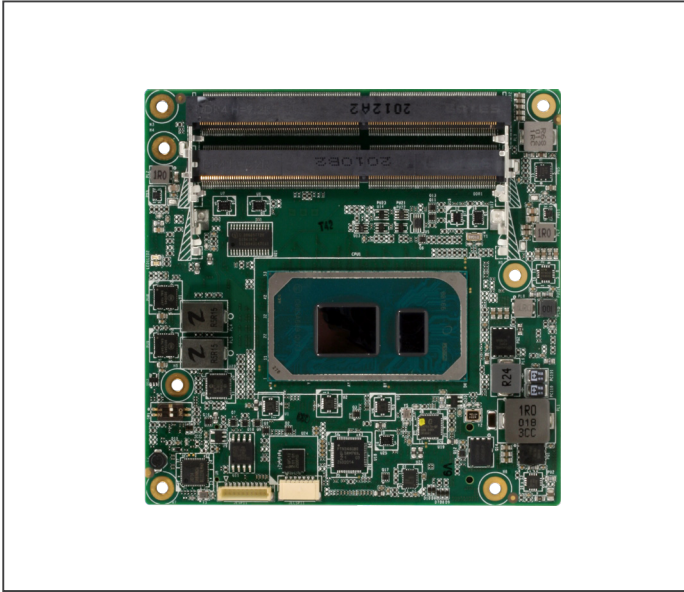


# COM-TGUC6

COM Express Compact Type 6 with 11th Generation Intel® Core™ Processor Family (formerly Tiger Lake UP3)



## Features

- 11th Generation Intel® Core™ Processor Family (formerly Tiger Lake UP3)
- 2 x SODIMM DDR4 3200MHz Memory, up to 32GB (in-band ECC)
- Intel I225LM Gigabit Ethernet x 1
- VGA, 18/24-bit 2ch LVDS/eDP, DDI x 3
- High Definition Audio Interface
- SATA3.0 x 2
- USB 2.0 x 8, USB 3.2 10Gbps x4
- PCI-Express [x1] x 5 (Gen3), PEG [x4] x1 (Gen4)
- 12V DC input
- COM Express Type 6, Compact size, 95mm x 95mm



## Specifications

System	
Form Factor	COM Express Mini size, Type 6
CPU	11th Generation Intel® Core™ Processor Family (formerly Tiger Lake UP3)
CPU Frequency	Up to 1.8 GHz, i7-1185GRE
Chipset	11th Gen Intel® Core™ Series Processor
Memory Type	DDR4, SO-DIMM x 2
Max. Memory Capacity	32 GB
BIOS	AMI UEFI
Wake on LAN	Yes
Watchdog Timer	255 Levels
Power Requirement	+12 V and +5 VSB for ATX, +12V for AT
Power Supply Type	AT/ATX
Power Consumption (Typical)	3.5A@12V, full load, i7-1185GRE
Dimension (L x W)	3.75" x 3.75" (95mm x 95mm)
Operating Temperature	32°F ~ 140°F (0°C ~ 60°C) -40°F ~ 185°F (-40°C ~ 85°C) Option
Storage Temperature	-40°F ~ 185°F (-40°C ~ 85°C)
Operating Humidity	0% ~ 90% relative humidity, non-condensing
Certification	CE/FCC Class A
Display	
Graphic Controller	Intel® Iris® Xe Graphics Intel® UHD Graphics for 11th Gen Intel® Processors
Video Output	4 Simultaneous Displays: Single/Dual Channel LVDS (18/24bit) or eDP, DDI x 3, VGA x 1
I/O	
Ethernet	Intel® i225LM GbE x 1
Audio	High Definition Audio Interface
USB Port	USB2.0 x 8, USB 3.2 10Gbps x4
Serial Port	2-Wire UART (Tx/Rx) x 2
HDD Interface	SATA 3 x 2
Expansion Slot	PCIe[x1] x 5 PEG[x4] x 1 LPC SMBus I2C
GPIO	8-bit
Onboard Storage	—
TPM	TPM 2.0

## Packing List

- COM-TGUC6

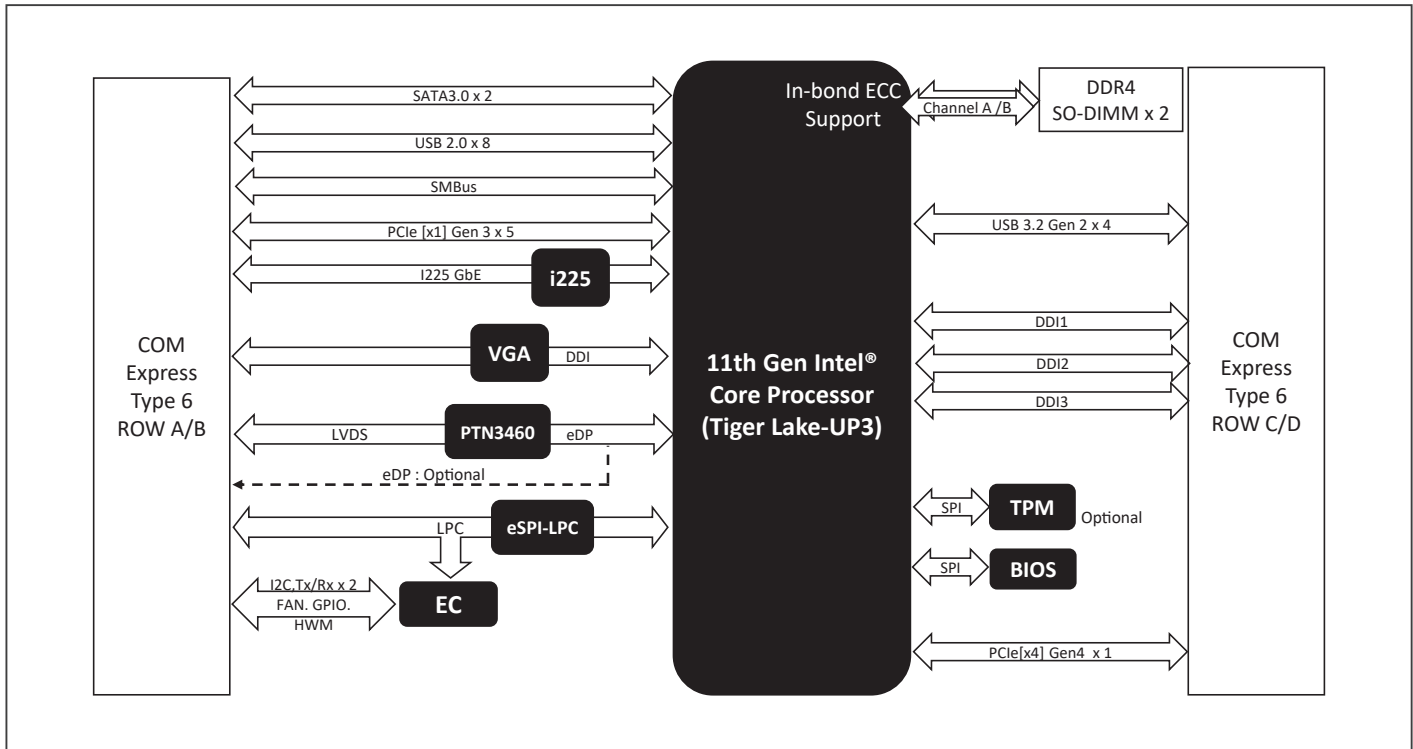
## Optional Accessories

- COM-TGUC6-FAN01  
Cooler:12V.Smart FAN.95x95x24MM.COM-TGUC6
- COM-TGUC6-HSP01  
Heat Spreader:AL.95x95x11mm.Black.COM-TGUC6
- ECB-920A-A11-0001  
COMe Type 6/10.Carrier Board.ATX.2.5GbE.8USB, 2COM.4SATA.PCIe.AT/ATX.Rev. A1.1
- COM-FAN02  
CPU Cooler.95\*95\*26.5mm.Silver.use w/HSP

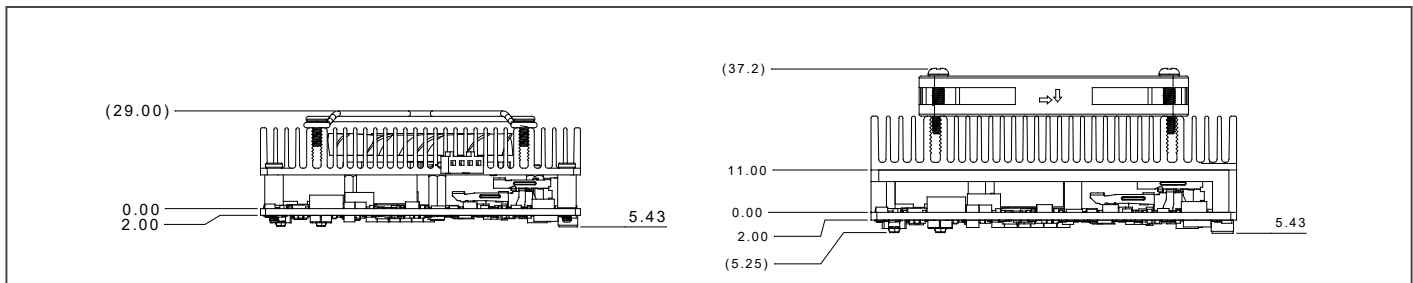
## CPU Support Chart

CPU	Core / Thread	Base Frequency / Turbo	TDP	Graphic	In-band ECC	Operating Temp.
i7-1185G7E	4/8	1.8 GHz / 4.4 GHz	15W (Up to 28W)	Intel® Iris® Xe Graphics	No	Commercial Temp.
i5-1145G7E	4/8	1.5 GHz / 4.1 GHz		Intel® Iris® Xe Graphics	No	Commercial Temp.
i3-1115G4E	2/4	2.2 GHz / 3.9 GHz		Intel® UHD Graphics	No	Commercial Temp.
i7-1185GRE	4/8	1.8 GHz / 4.4 GHz		Intel® Iris® Xe Graphics	Yes	Embedded/Industrial Extended Temp.
i5-1145GRE	4/8	1.5 GHz / 4.1 GHz	15W	Intel® Iris® Xe Graphics	Yes	Embedded/Industrial Extended Temp.
i3-1115GRE	2/4	2.2 GHz / 3.9 GHz		Intel® UHD Graphics	Yes	Embedded/Industrial Extended Temp.
Celeron 6305E	2/2	1.8 GHz / ---	15W	Intel® UHD Graphics	No	Commercial Temp.

## Block Diagram Unit: mm



## Dimension Unit: mm



## Ordering Information

PART NUMBER	COM EXPRESS TYPE	CPU	MEMORY	DISPLAY	LVDS	STORAGE	LAN	USB	UART	EXPANSION	POWER	TEMPERATURE	OTHERS
COM-TGUC6-A10-0001	Type 6 (COM.0 Rev. 3.0)	i7-1185G7E	DDR4 SO-DIMM x 2	LVDS, DDI x 3, VGA x 1	18/24bits 2CH LVDS	SATA3 x 2	2.5 GbE x 1	USB 3.2 10Gbps x 4 USB 2.0 x 8	2 (Tx/Rx)	PCIe [x1] x 5 PEG [x4] x 1	12V	0°C - 60°C	LPC, SMBus, I2C
COM-TGUC6-A10-0002	Type 6 (COM.0 Rev. 3.0)	i5-1145G7E	DDR4 SO-DIMM x 2	LVDS, DDI x 3, VGA x 1	18/24bits 2CH LVDS	SATA3 x 2	2.5 GbE x 1	USB 3.2 10Gbps x 4 USB 2.0 x 8	2 (Tx/Rx)	PCIe [x1] x 5 PEG [x4] x 1	12V	0°C - 60°C	LPC, SMBus, I2C
COM-TGUC6-A10-0005	Type 6 (COM.0 Rev. 3.0)	i7-1185GRE	DDR4 SO-DIMM x 2	LVDS, DDI x 3, VGA x 1	18/24bits 2CH LVDS	SATA3 x 2	2.5 GbE x 1	USB 3.2 10Gbps x 4 USB 2.0 x 8	2 (Tx/Rx)	PCIe [x1] x 5 PEG [x4] x 1	12V	0°C - 60°C	LPC, SMBus, I2C
COM-TGUC6-A10-0006	Type 6 (COM.0 Rev. 3.0)	i5-1145GRE	DDR4 SO-DIMM x 2	LVDS, DDI x 3, VGA x 1	18/24bits 2CH LVDS	SATA3 x 2	2.5 GbE x 1	USB 3.2 10Gbps x 4 USB 2.0 x 8	2 (Tx/Rx)	PCIe [x1] x 5 PEG [x4] x 1	12V	0°C - 60°C	LPC, SMBus, I2C